

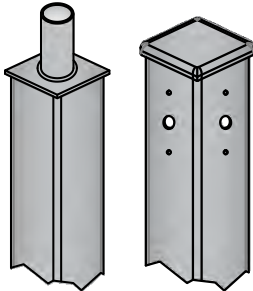


Light Pole Spec Sheet Square Straight Steel 5" SSS-5

<u>Pole Size (Inches)</u> 5 Inch Square Steel	<u>Pole Wall Thickness</u> 11= 11 Gauge (.120" Thick) 7= 7 Gauge (.188" Thick)	<u>Pole Height (Feet)</u> 25,30,35
--	--	---------------------------------------

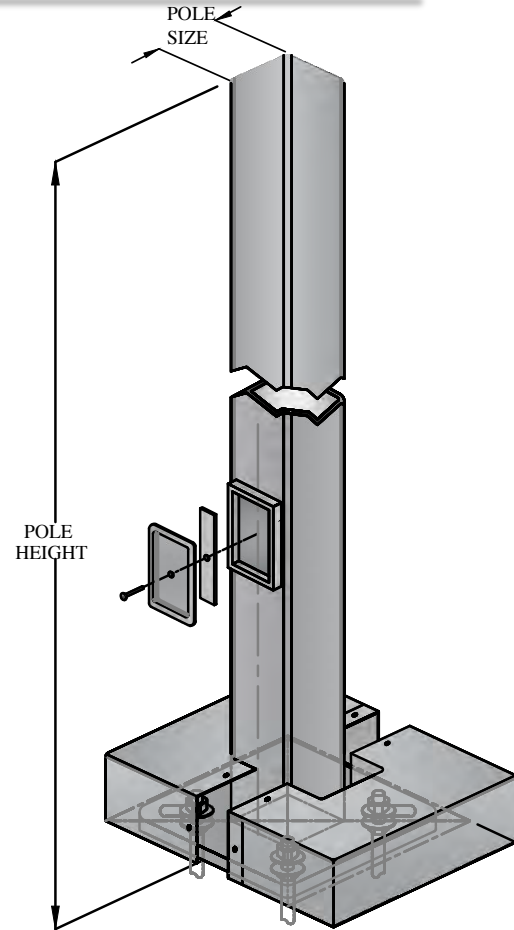
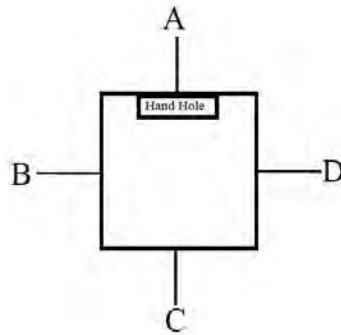
Fixture Mounting

- 2= 2-3/8" OD slip fitter
- 3= 3" OD Slip Fitter
- D=Drilled for 6" extended arm pole mount. With pole cap



Fixture Locations

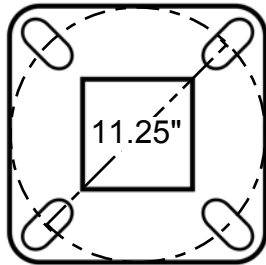
If Drilled for Arm Mount
(View from top)



Powdercoat Color:

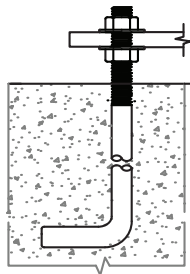
- DB=Dark Bronze
- WH=White
- BK=Black

Base Plate



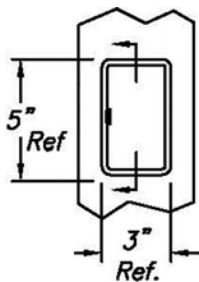
Anchor Bolt:

- (Blank) no anchor bolts
- AB= Ship with pole +\$79
- Size: 1"-8 X 36"
- Projection: 4-4.5"



Hand Hole:

- 3X5" reinforced hand hole
- Center of hole 18" from base plate
- 3/8" Grounding Stud



Bolt Circle: 10-12.5"
Base Plate: 11.75" x 1"

Base Cover:

2 piece aluminum square cover.
Powder coated to match.

Ordering Information Pole Part Number

SSS-5-	Thickness-	Height-	Fixture Mounting-	Color-	Anchor Bolts
SSS-5-	11	25	2	DB	(Blank)
	7	30	3	WH	AB
		35	D(ABCD)	BK	
If D; Enter sides to be drilled. (A,B,C,D)					

Example: SSS-5-11-25-2-WH. SSS-5-7-35-D(AB)-DB

Light Pole Systems, Inc.
LightPoleSystems.com (714)
786-8983



1057 E. Imperial Hwy #155
Placentia Ca. 92870
6/18/19 1.1

Light Pole Systems, Inc. Light Pole Load Chart

Square Straight Steel-5 Poles

Part Number	Shape	Size	Wall Thickness Gauge	Pole Height	Max Load Capacities					
					80 MPH Wind Zone		90 MPH Wind Zone		100 MPH Wind Zone	
					Max EPA (SQ. FT)	Max Fixture Weight (lbs.)	Max EPA (SQ. FT)	Max Fixture Weight (lbs.)	Max EPA (SQ. FT)	Max Fixture Weight (lbs.)
SSS- 5-11-25	Square	5	11 (.120")	25	9.1	245	5.8	157	3.4	150
SSS- 5-11-30	Square	5	11 (.120")	30	4.3	150	1.9	50	0	0
SSS- 5-7-25	Square	5	7 (.188")	25	17.1	463	12.3	333	8.8	238
SSS- 5-7-30	Square	5	7 (.188")	30	9.9	267	6.2	167	3.6	100
SSS- 5-7-35	Square	5	7 (.188")	35	5.5	150	2.3	100	0	0