

The Anchor Bolt Adaptor 1" allows an increase or decrease of a bolt circle by up to 5", and movement of bolt square by 2.5". For instructions, see Installation Guide.

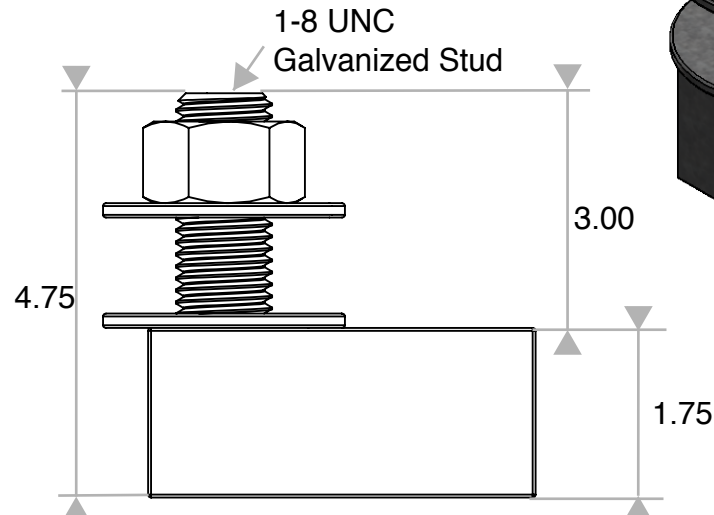
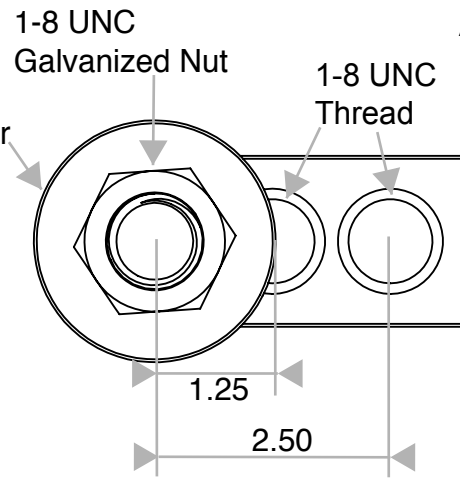
With all blocks in this configuration, the bolt circle is decreased by up to 5".

With all blocks in this configuration, the bolt circle is decreased by up to 2.5".

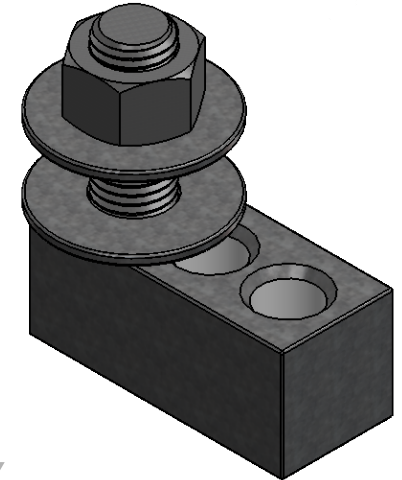
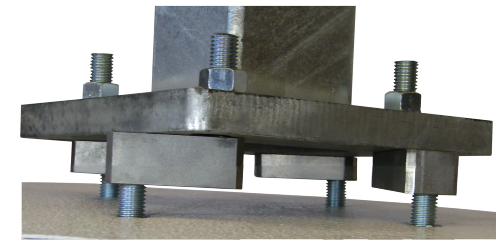
With all blocks in this configuration, the bolt circle is increased by up to 5".

Pole may rotate slightly based on your exact needed adjustment and pole base plate

With all blocks in this configuration, the bolt circle is increased by up to 2.5".



ABA1 is sold in sets of 4 blocks.



ABA1: 40' MAX POLE, 550 LBS. MAX FIXTURE WEIGHT, 100MPH MAX: EPA 15 USING CENTER HOLE. EPA 5 USING OUTSIDE HOLE.

Max EPA in 100MPH windzone
550lbs Fixture Weight

Pole Height	ABA1 Center Hole	ABA1 Outside Hole
15	<20	12
20	<20	9
25	20	7
30	15	6
35	13	5
40	12	5



PROPRIETARY AND CONFIDENTIAL
THE INFORMATION CONTAINED IN THIS DRAWING IS THE SOLE PROPERTY OF LIGHT POLE SYSTEMS, INC. ANY REPRODUCTION IN PART OR AS A WHOLE WITHOUT THE WRITTEN PERMISSION OF LIGHT POLE SYSTEMS, INC. IS PROHIBITED.

UNLESS OTHERWISE SPECIFIED:

DIMENSIONS ARE IN INCHES
TOLERANCES:
FRACTIONAL ±
ANGULAR: MACH ± BEND ±
TWO PLACE DECIMAL ± .005
THREE PLACE DECIMAL ± .005

INTERPRET GEOMETRIC TOLERANCING PER:

MATERIAL
1018 STEEL

FINISH
HOT DIP GALVANIZED

DO NOT SCALE DRAWING

NAME	DATE
EB	08/31/17

DRAWN	
CHECKED	
ENG APPR.	
MFG APPR.	

Q.A.
COMMENTS:

PART#: ABA1

TITLE:
ANCHOR BOLT ADAPTER, 1"

SIZE DWG. NO.

A

REV
2.2
1/5/18

SCALE: 1:2 WEIGHT: 16lbs.