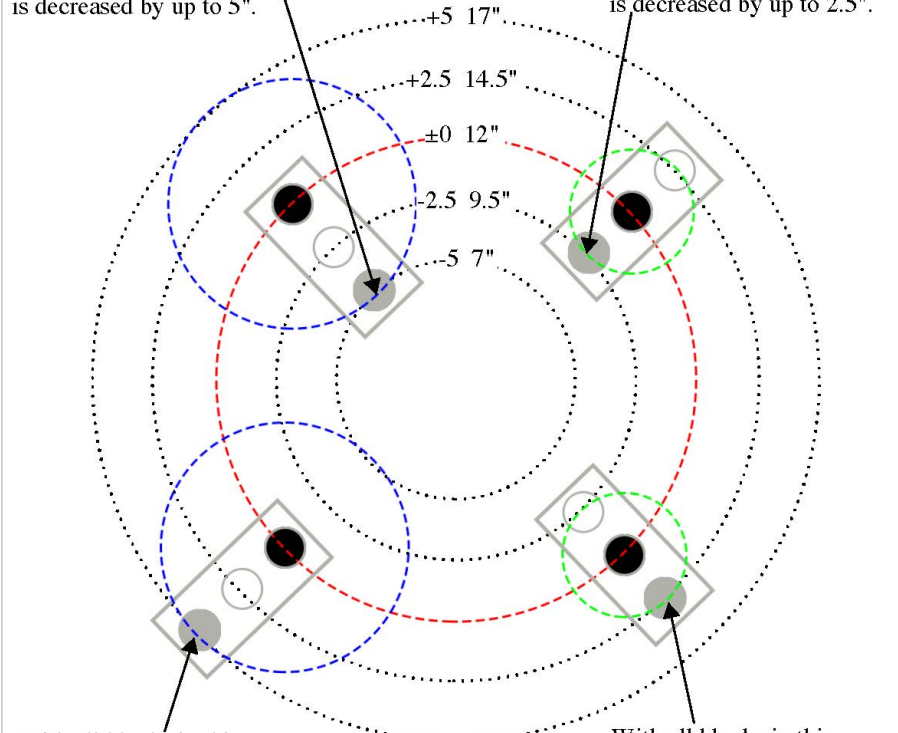


The Anchor Bolt Adapter 1"-.75" allows an increase or decrease of a bolt circle by up to 5", and movement of bolt square by 2.5", and allow a 3/4" base plate to bolt to 1" anchor bolts. For instructions, see Installation Guide.

With all blocks in this configuration, the bolt circle is decreased by up to 5".

(2) 3/4-2.00 Hardened Washer

With all blocks in this configuration, the bolt circle is decreased by up to 2.5".



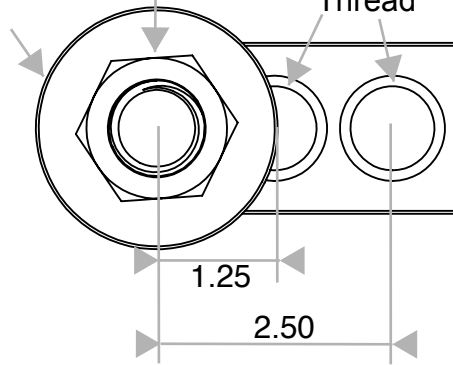
With all blocks in this configuration, the bolt circle is increased by up to 5".

Pole may rotate slightly based on your exact needed adjustment and pole base plate

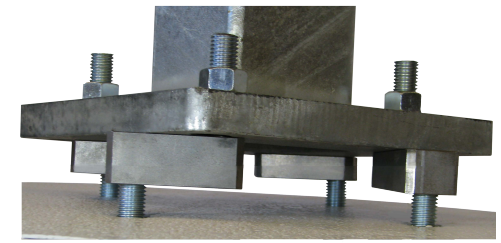
With all blocks in this configuration, the bolt circle is increased by up to 2.5".

3/4-10 UNC Galvanized Nut

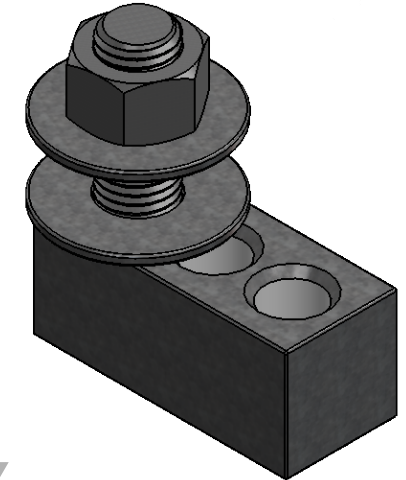
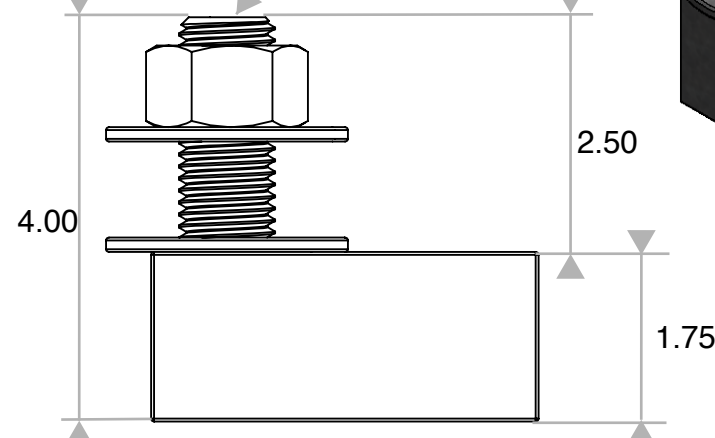
1-8 UNC Thread



ABA1-.75 is sold in sets of 4 blocks.



3/4-10 UNC Galvanized Stud



ABA.75: 25' MAX POLE, 150 LBS. MAX FIXTURE WEIGHT, 100MPH MAX: EPA 11 USING CENTER HOLE. EPA 5 USING OUTSIDE HOLE.

Max EPA in 100MPH windzone  
150lbs Fixture Weight

Pole Height	ABA.75	ABA.75
	Center Hole	Outside Hole
15	17	7
20	13	5
25	11	5



**PROPRIETARY AND CONFIDENTIAL**  
THE INFORMATION CONTAINED IN THIS DRAWING IS THE SOLE PROPERTY OF LIGHT POLE SYSTEMS, INC. ANY REPRODUCTION IN PART OR AS A WHOLE WITHOUT THE WRITTEN PERMISSION OF LIGHT POLE SYSTEMS, INC. IS PROHIBITED.

UNLESS OTHERWISE SPECIFIED:

DIMENSIONS ARE IN INCHES  
TOLERANCES:  
FRACTIONAL ±  
ANGULAR: MACH ± BEND ±  
TWO PLACE DECIMAL ± .005  
THREE PLACE DECIMAL ± .005

INTERPRET GEOMETRIC TOLERANCING PER:

MATERIAL  
1018 STEEL

FINISH  
HOT DIP GALVANIZED

DO NOT SCALE DRAWING

NAME  
DATE

DRAWN  
CHECKED  
ENG APPR.  
MFG APPR.  
Q.A.  
COMMENTS:

PART#: ABA1-.75

TITLE:  
ANCHOR BOLT ADAPTER, 1"-.75"

SIZE DWG. NO.

**A**

REV  
2.1  
1/5/18

SCALE: 1:2 WEIGHT: 16lbs.