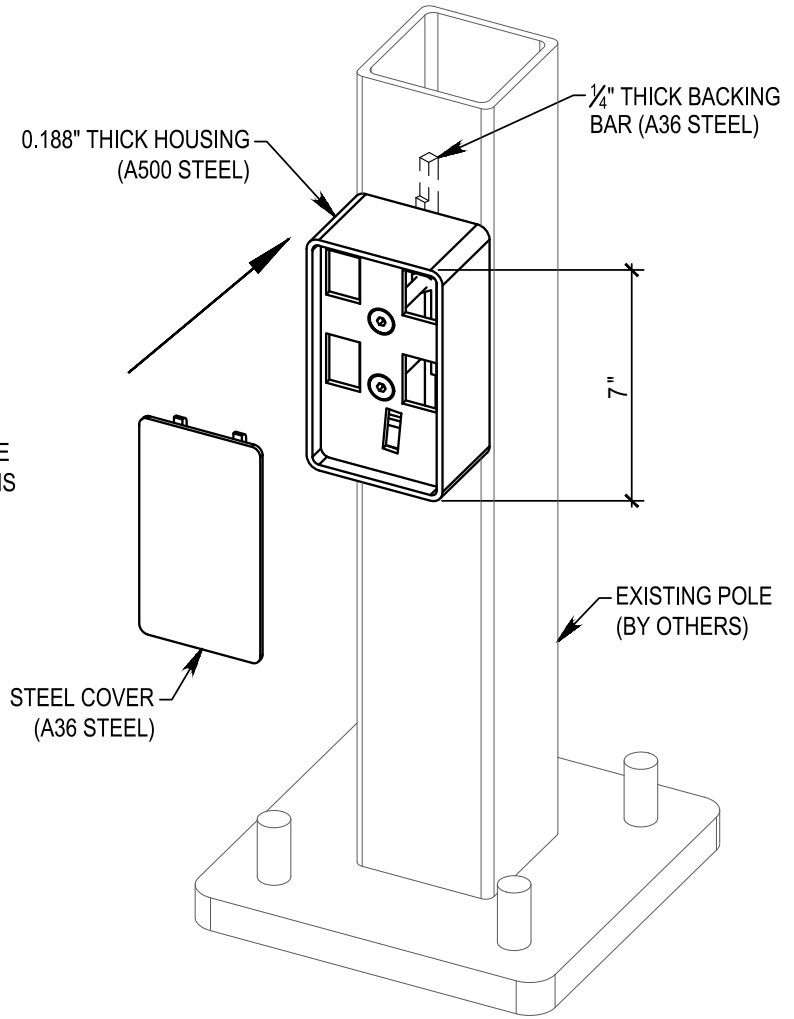
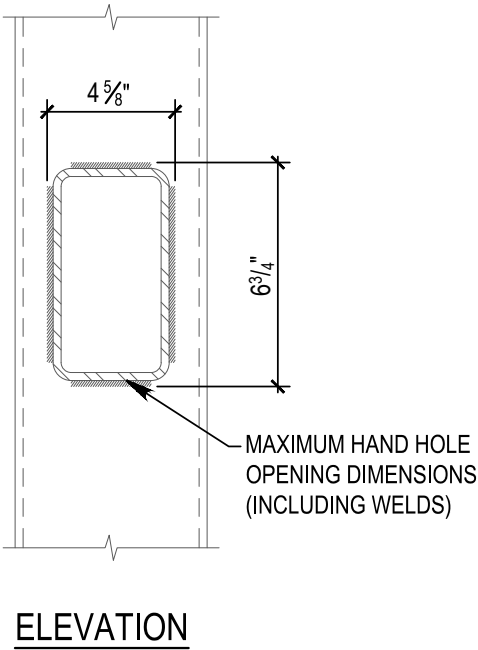
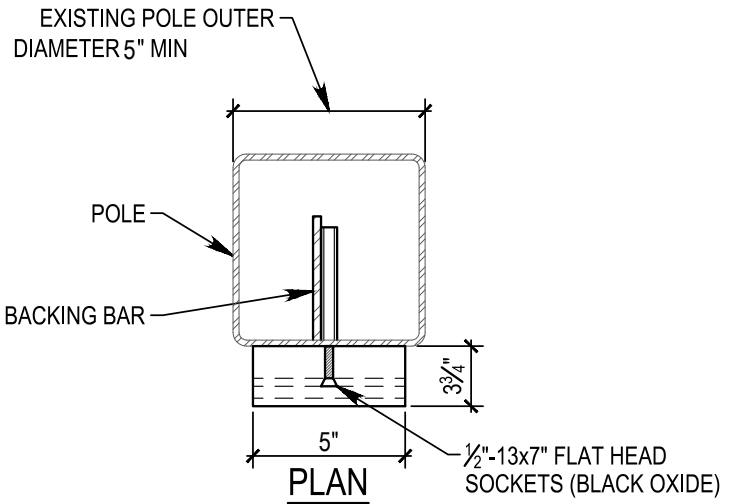


DESCRIPTION:

UNIVERSAL LOCKING HAND HOLE COVER (PATENT PENDING) REPLACES EXISTING STOCK COVER AND LOCKS WITH 1"x $\frac{5}{16}$ " KEYED OR COMBO PADLOCK (SUPPLIED BY OTHERS)



Light Pole Systems, Inc
lightpolesystems.com
 (714) 786-8983
 1057 E. Imerial Hwy #155
 Placentia Ca. 92870

TYPE: UNIVERSAL LOCKING HAND HOLE COVER
 FINISH: COVERS SHIP PRIMED. FINISH AVAILABLE ON SPECIAL ORDER

MODEL#: **5HHCBS**

SCALE: **NONE**

DATE: **5/4/15**

