



Light Pole Spec Sheet

Square Straight Steel 4" SSS-4

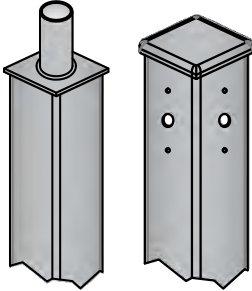
Pole Size (Inches)
4 Inch Square Steel

Pole Wall Thickness
11= 11 Gauge (.120" Thick)
7= 7 Gauge (.188" Thick)

Pole Height (Feet)
10,12,15,18,20,22,24

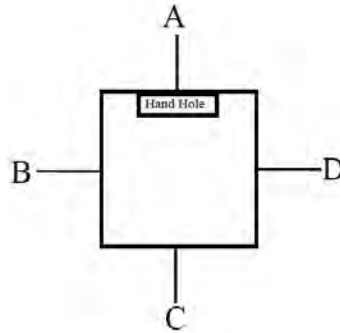
Fixture Mounting

2= 2-3/8" OD slip fitter
3= 3" OD Slip Fitter
D=Drilled for 6" extended arm pole mount. With pole cap

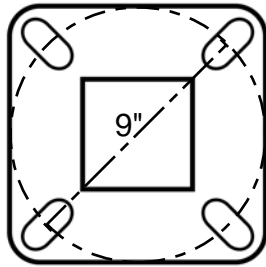


Fixture Locations

If Drilled for Arm Mount
(View from top)



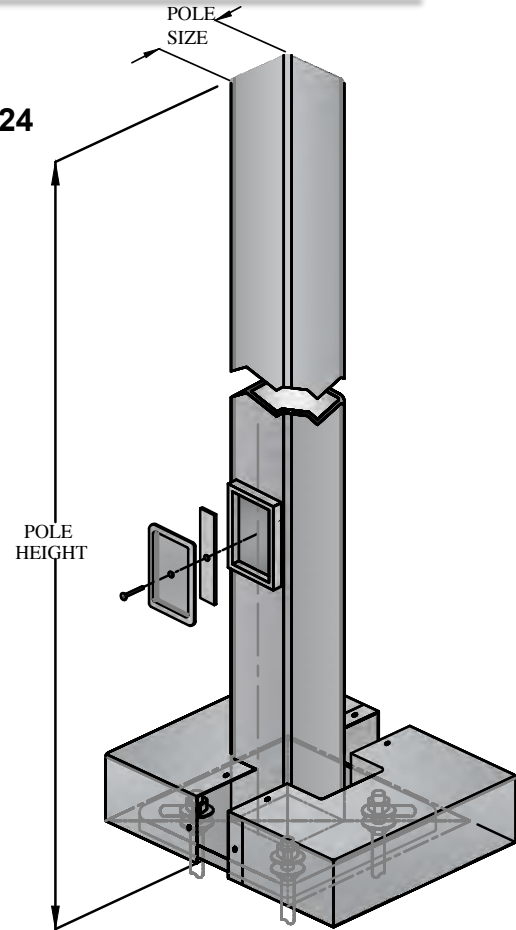
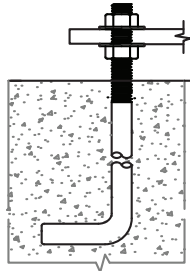
Base Plate



Bolt Circle: 8-10"
Base Plate: 9.5" x 3/4"

Anchor Bolt:

(Blank) no anchor bolts
AB= Ship with pole +\$48
Size: 3/4"-10 X 24"
Projection: 3.25-3.75"



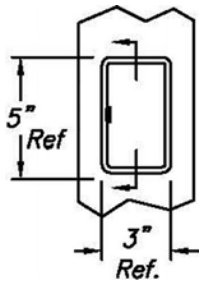
Base Cover:
2 piece aluminum square cover.
Powder coated to match.

Powdercoat Color:

DB=Dark Bronze
WH=White
BK=Black

Hand Hole:

3X5" reinforced hand hole
Center of hole 18" from base plate
3/8" Grounding Stud



Ordering Information Pole Part Number

SSS-4-	Thickness-	Height-	Fixture Mounting-	Color-	Anchor Bolts
SSS-4-	11	10	2	DB	(Blank)
	7	12	3	WH	AB
		15	D(ABCD)	BK	
		18	If D; Enter sides to be drilled. (A,B,C,D)		
		20			
		22			
		24			

Example: SSS-4-11-12-2-WH
SSS-4-7-25-D(AC)-DB-AB

Light Pole Systems, Inc.
LightPoleSystems.com (714)
786-8983



1057 E. Imperial Hwy #155
Placentia Ca. 92870
6/18/19 1.1

Light Pole Systems, Inc. Light Pole Load Chart Square Straight Steel-4 Poles

Part Number	Shape	Size	Wall Thickness Gauge	Pole Height	Max Load Capacities					
					80 MPH Wind Zone		90 MPH Wind Zone		100 MPH Wind Zone	
					Max EPA (SQ. FT)	Max Fixture Weight (lbs.)	Max EPA (SQ. FT)	Max Fixture Weight (lbs.)	Max EPA (SQ. FT)	Max Fixture Weight (lbs.)
SSS -4-11-10	Square	4	11 (.120")	10	28.3	765	22	595	17.5	473
SSS -4-11-12	Square	4	11 (.120")	12	24.4	610	18.8	470	14.8	370
SSS -4-11-15	Square	4	11 (.120")	15	16.6	398	12.1	295	9.7	223
SSS -4-11-18	Square	4	11 (.120")	18	11.7	315	8.5	230	6.2	168
SSS -4-11-20	Square	4	11 (.120")	20	8.9	240	6.2	167	4.2	150
SSS -4-11-22	Square	4	11 (.120")	22	7	200	4.5	140	2.8	100
SSS -4-11-24	Square	4	11 (.120")	24	4.4	150	2.4	100	0.9	50
SSS -4-7-20	Square	4	7 (.188")	20	14	350	11	275	8	200
SSS -4-7-24	Square	4	7 (.188")	24	10	270	7.1	188	5	135