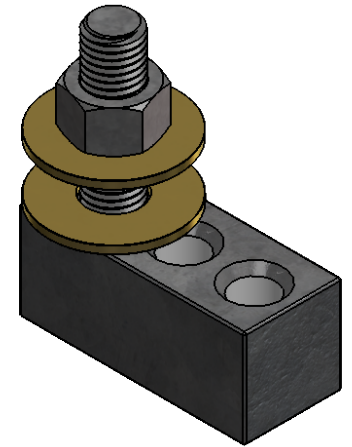
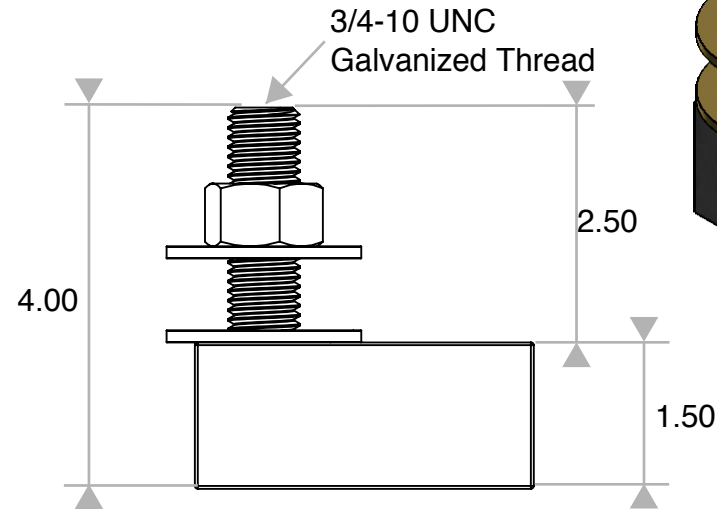
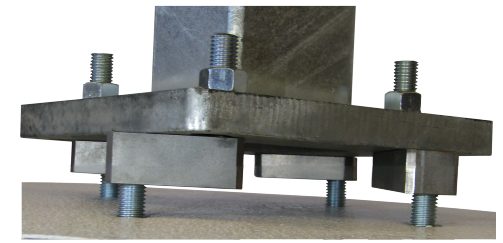
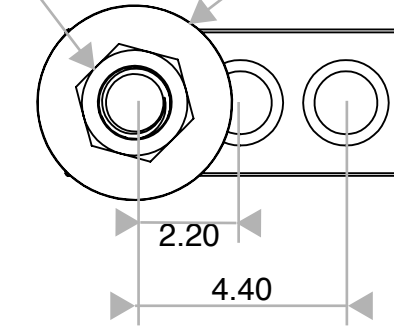



The Anchor Bolt Adaptor 3/4" allows an increase or decrease of a bolt circle by up to 4.4", and movement of bolt square by 2.2"
 For instructions, see Instillation Guide.

ABA.75 is sold in sets of 4 blocks.

3/4 UNC Nut Galvanized (2) 3/4-2.00 UNC Hardened Washer



ABA.75: 25' MAX POLE, 150 LBS. MAX FIXTURE WEIGHT, 100MPH MAX:
 EPA 11 USING CENTER HOLE. EPA 5 USING OUTSIDE HOLE.

	UNLESS OTHERWISE SPECIFIED:		NAME	DATE	PART#: ABA.75	
	DIMENSIONS ARE IN INCHES TOLERANCES: FRACTIONAL ± ANGULAR: MACH ± BEND ± TWO PLACE DECIMAL ± .005 THREE PLACE DECIMAL ± .005		DRAWN	EB	08/31/17	TITLE: ANCHOR BOLT ADAPTER, 3/4"
PROPRIETARY AND CONFIDENTIAL THE INFORMATION CONTAINED IN THIS DRAWING IS THE SOLE PROPERTY OF LIGHT POLE SYSTEMS, INC. ANY REPRODUCTION IN PART OR AS A WHOLE WITHOUT THE WRITTEN PERMISSION OF LIGHT POLE SYSTEMS, INC. IS PROHIBITED.		INTERPRET GEOMETRIC TOLERANCING PER:		ENG APPR.	SIZE DWG. NO. REV A 2.1	
		MATERIAL		MFG APPR.		COMMENTS: SCALE: 1:2 WEIGHT: SHEET 1 OF
FINISH		Q.A.				
		DO NOT SCALE DRAWING				