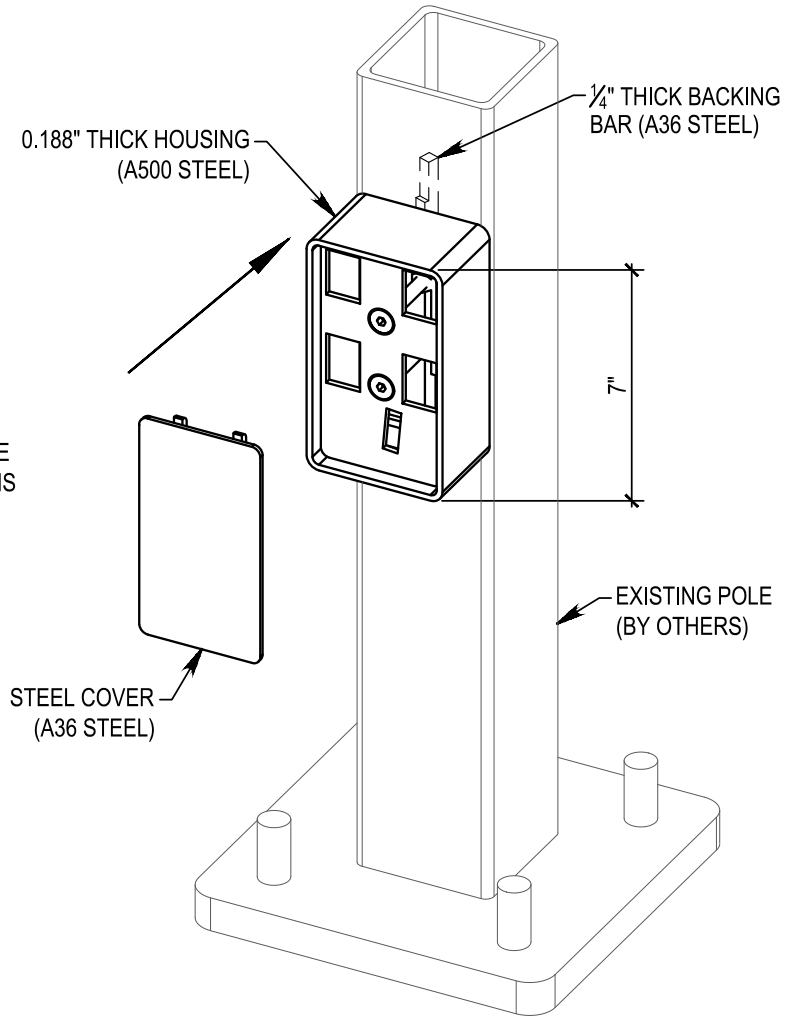
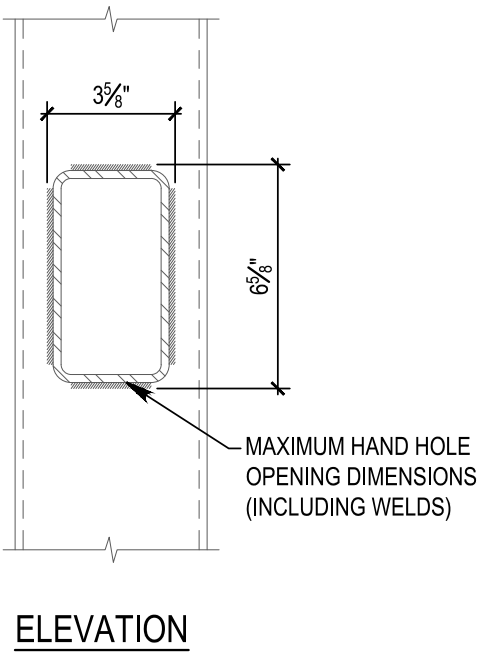
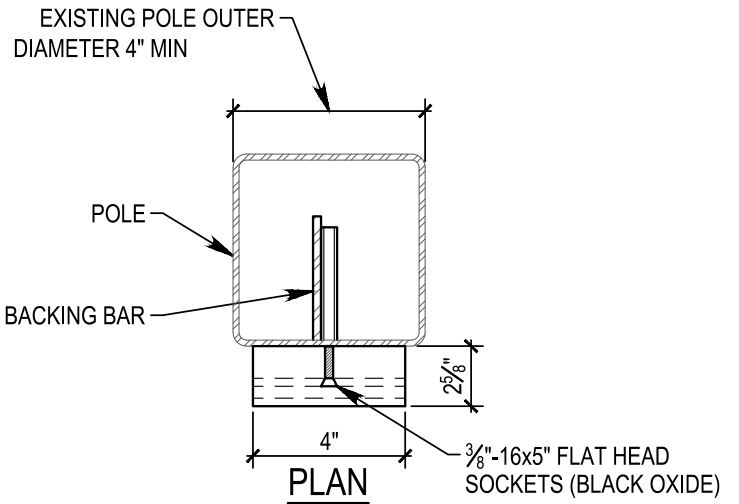


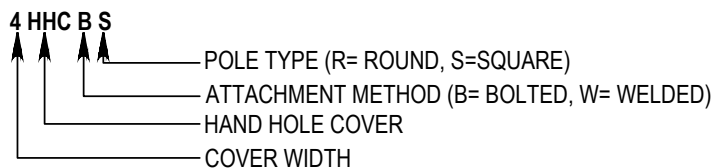
DESCRIPTION:

UNIVERSAL LOCKING HAND HOLE COVER (PATENT PENDING) REPLACES EXISTING STOCK COVER AND LOCKS WITH 1"x $\frac{5}{16}$ " KEYED OR COMBO PADLOCK (SUPPLIED BY OTHERS)



Light Pole Systems, Inc
lightpolesystems.com
 (714) 786-8983
 1057 E. Imerial Hwy #155
 Placentia Ca. 92870

TYPE: UNIVERSAL LOCKING HAND HOLE COVER
 FINISH: POWDER COATED BRONZE. OTHER COLORS AVAILABLE
 U.S Patent # 9,752,344



MODEL#:
4HHCBS

SCALE:
NONE

DATE:
12/3/19