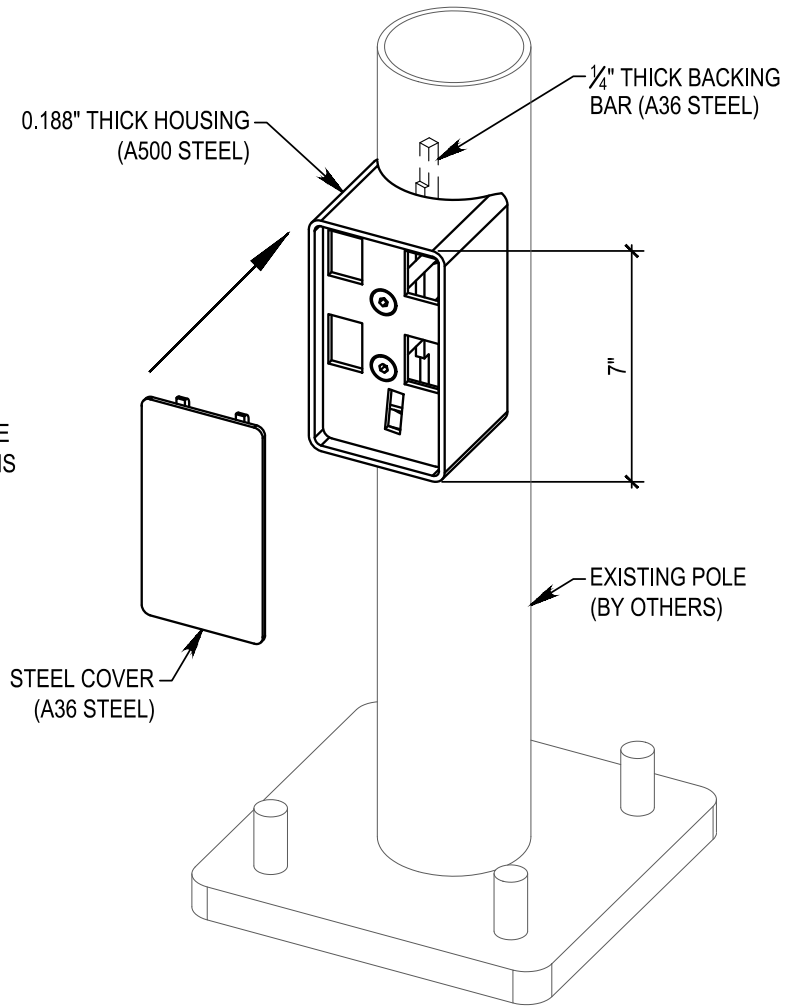
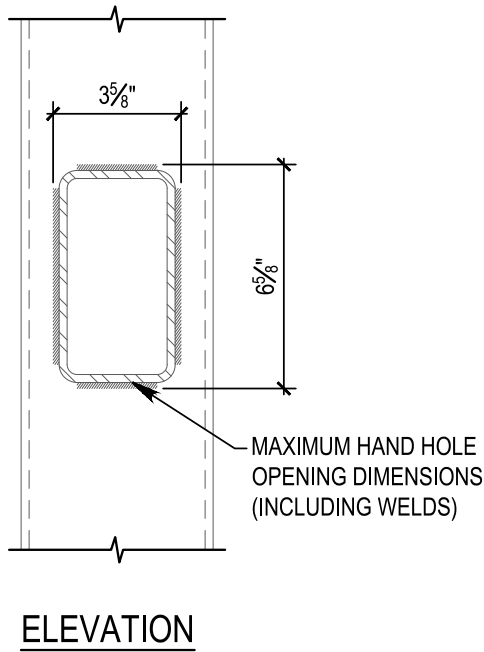
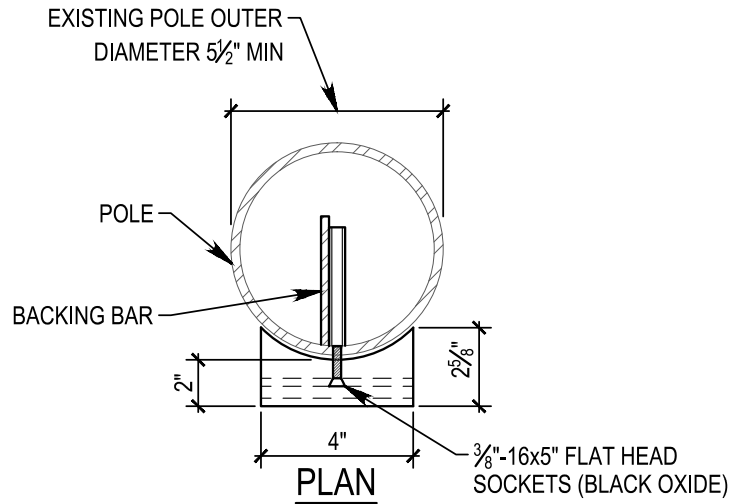


**DESCRIPTION:**

UNIVERSAL LOCKING HAND HOLE COVER (PATENT PENDING) REPLACES EXISTING STOCK COVER AND LOCKS WITH 1"x $\frac{5}{16}$ " KEYED OR COMBO PADLOCK (SUPPLIED BY OTHERS)



Light Pole Systems, Inc  
[lightpolesystems.com](http://lightpolesystems.com)  
 (714) 786-8983  
 1057 E. Imerial Hwy #155  
 Placentia Ca. 92870

TYPE: UNIVERSAL LOCKING HAND HOLE COVER  
 FINISH: COVERS SHIP PRIMED. FINISH AVAILABLE ON SPECIAL ORDER  
 U.S Patent # 9,752,344

4 HHC B R # ← POLE NOMINAL OUTER DIAMETER (INCHES) 5.6+  
 ← POLE TYPE (R= ROUND, S=SQUARE)  
 ← ATTACHMENT METHOD (B= BOLTED, W= WELDED)  
 ← HAND HOLE COVER  
 ← COVER WIDTH

MODEL#: 4HHCBR5.6+

SCALE: NONE

DATE: 12/3/19